

REVISIONS			
REV	DESCRIPTION	DATE	APPROVED

SHAFT D:

KEYWAY: WIDTH _____

FULL DEPTH _____

HOLLOW BORE Ø: _____

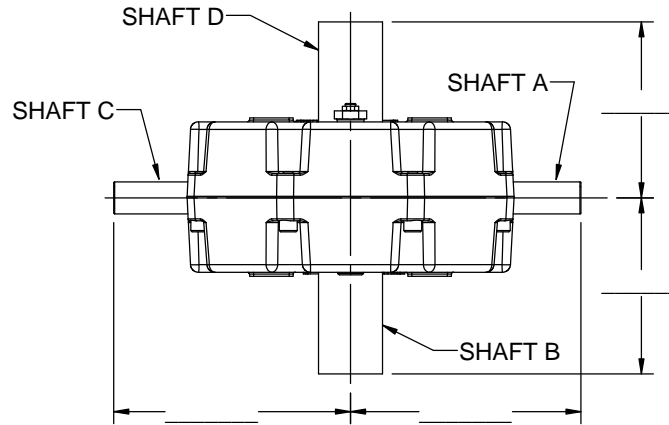
NOTES: _____

SHAFT C:

KEYWAY: WIDTH _____

FULL DEPTH _____

NOTES: _____



SHAFT B:

KEYWAY: WIDTH _____

FULL DEPTH _____

HOLLOW BORE Ø: _____

NOTES: _____

SHAFT A:

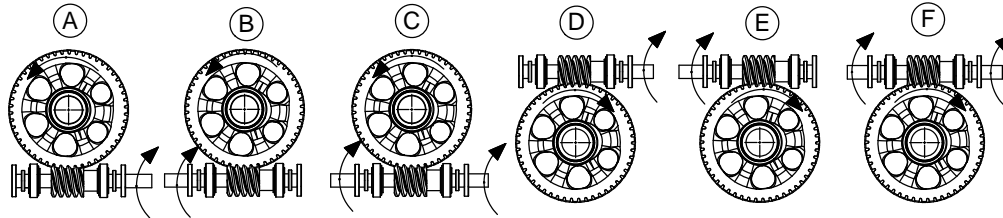
KEYWAY: WIDTH _____

FULL DEPTH _____

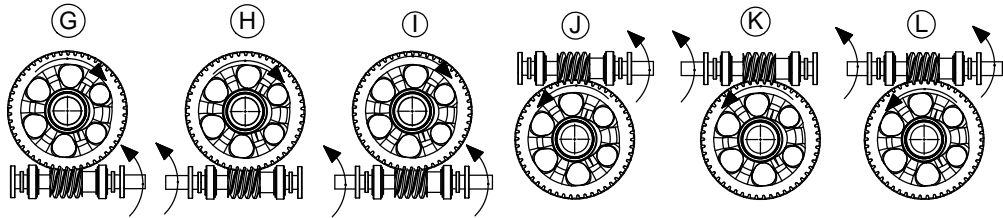
NOTES: _____

CIRCLE ROTATION FOR YOUR APPLICATION.

RIGHT HAND:



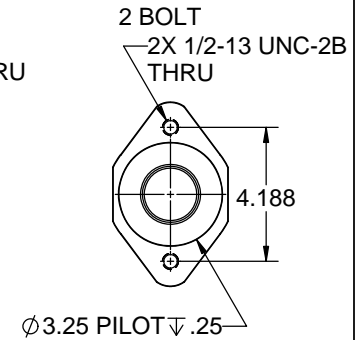
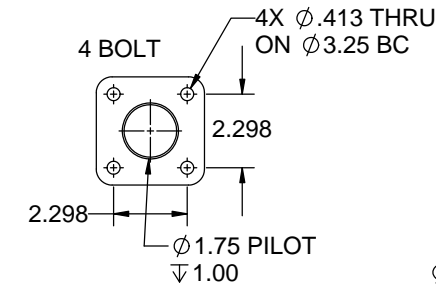
LEFT HAND:



HYDRAULIC ADAPTER OPTIONS:
 W260 = 7.18" FROM MOUNTING FACE TO OUTPUT CENTERLINE
 V210 = 6.18" FROM MOUNTING FACE TO OUTPUT CENTERLINE

4 BOLT: _____ OR 2 BOLT _____

INPUT ON SHAFT: A OR C



FOOT MOUNTING OPTION FOR W260 SERIES ONLY

4X 1/2-13 UNC-2B ∇ .75
 6.125 X 2.50 HOLE SPACING

YES NO

SERIES: RATIO:

W260	12.5:1	25:1	50:1
V210	5:1	10:1	20:1

INPUT HP: _____

INPUT RPM: _____

RETURN TO:
 SUPERIOR GEARBOX CO.
 FAX# 417-276-2581
 kwood@superiorgearbox.com
 SALES DEPARTMENT

DFTR	DATE
K.WOOD	6/10/14
CHGR	DATE
-	-
ENGR	DATE
-	-
MFG	DATE
-	-
QC	DATE
-	-
-	DATE

SUPERIOR GEARBOX COMPANY
 P.O. BOX 645 STOCKTON, MO 65785

WORM GEARBOX

SIZE (PART NO.)
CIFM-SLS-003 Worm Worksheet

SCALE 1:1 DO NOT SCALE DRAWING SHEET 1 OF 1