

Ratio ¹	Gear Design		Input RPM			
			100	540	1000	1750
1:1	19T, 19T Forged Straight Bevel	Input HP	8.43	35.46	53.23	71.42
		Output Torque	5313	4139	3355	2572

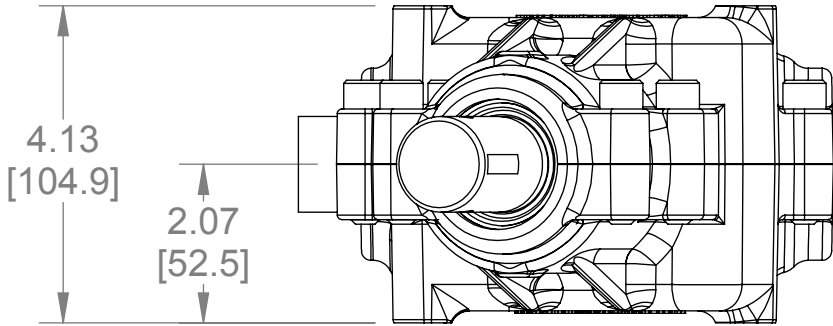
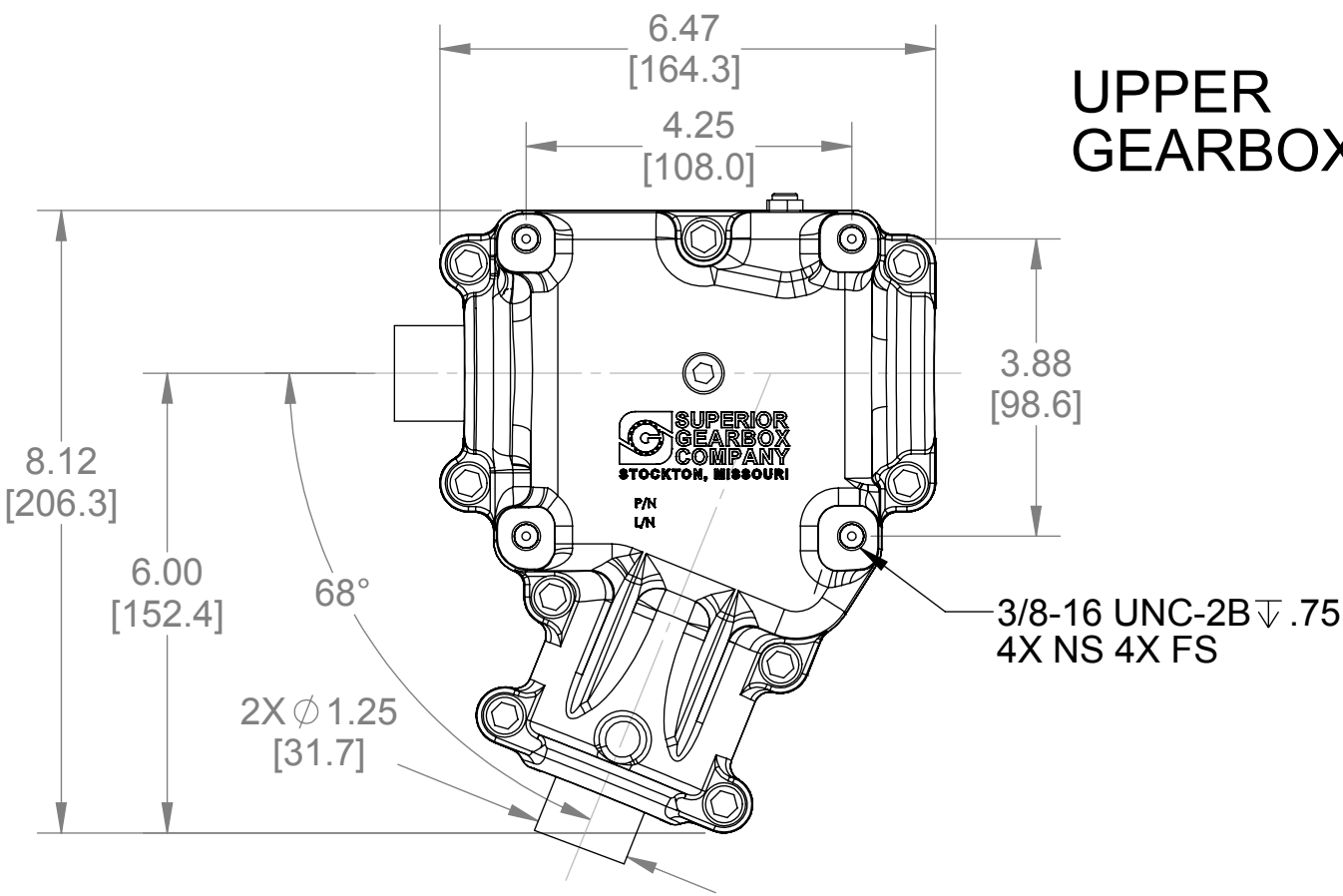
Torque measured in in-lbs

Ratio ¹	Gear Design		Input RPM			
			100	540	1000	1750
1:1	19T, 19T Forged Straight Bevel	Input kW	6.29	26.44	39.69	53.26
		Output Torque	600	468	379	291

Torque measured in N-m

¹ All ratings specified with the stub shaft (#1) as the input

UPPER GEARBOX



LOWER GEARBOX

