

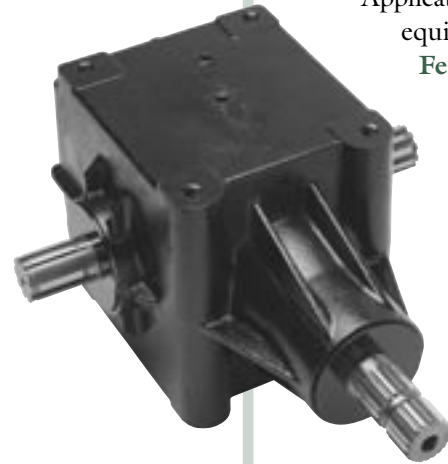


700 Series Iron

Applications include large rototillers, silage compactors, heavy-duty industrial equipment, material handling.

Features:

- One-piece iron housing for high capacity
- Precision machined for exact gear mesh and bearing preload
- Precision forged gears are offered in a 2.92:1 ratio
- Tapered roller bearings provide increased load capacity and bearing life
- 1.75" input shaft and 2.75" output shaft made of high strength steel is standard
- Serviced with 80W90 gear lubricant, run and leak tested before shipment
- The 700 Series Iron weighs approximately 190 lbs. including 175 oz of lubricant



Rating Chart

Reducers	Ratio ¹	Gear Design	Input RPM		
			100	540	1000
2.92:1	12, 35 Forged Straight Bevel	Input HP	28.86	119.25	177.41
		Output Torque*	53051	40594	32612
		Input kW	21.52	88.93	132.30
		Output Torque**	5994	4586	3685

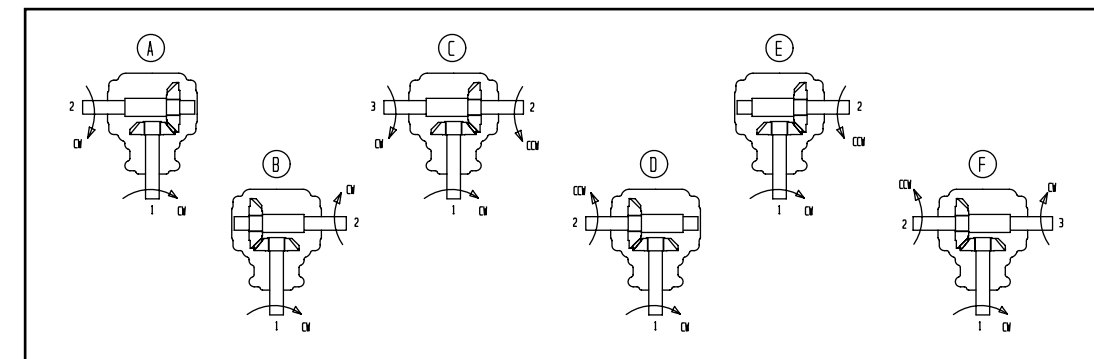
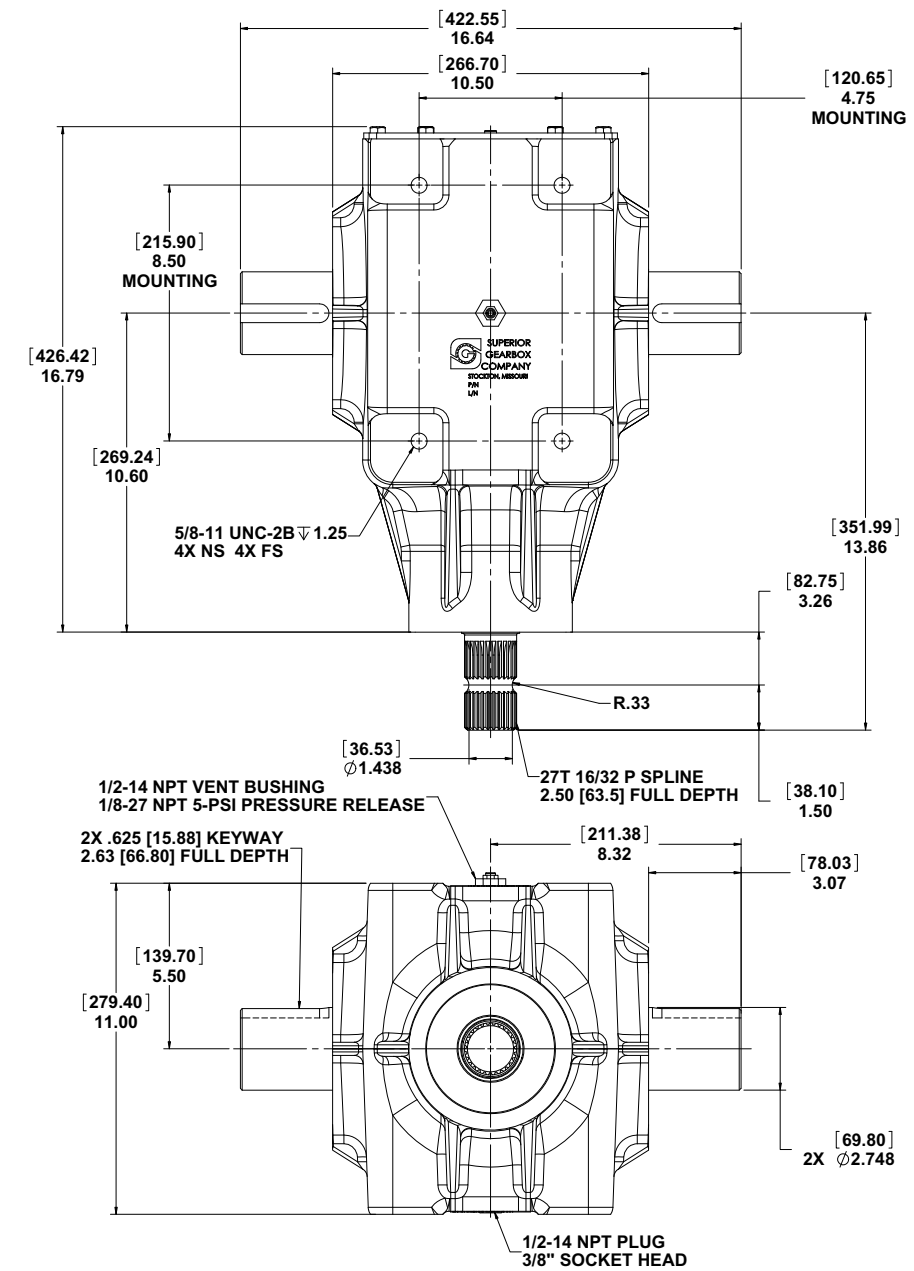
¹ All ratings specified with the #1 shaft as the input
 *Torque measured in inch-lbs **Torque measured in N-m

LIMITATIONS ON HORSEPOWER AND TORQUE RATINGS: The horsepower and torque ratings given here are generalizations. Different conditions for various applications may result in higher or lower horsepower capacities. Under certain conditions the maximum indicated rpm may be exceeded. For these reasons the ratings cannot be guaranteed for any application. Prototype testing should be conducted for each application before production.

Service Factors

Character of Shock Driven Machine	Character of Power Source Shock Load											
	Electric Motor Uniform				Multi-Cylinder Engine Light Shock				Single-Cylinder Engine Medium Shock			
	Duration of Service (Hours per Day)											
	.5	3	10	24	.5	3	10	24	.5	3	10	24
Uniform	0.60	0.80	1.00**	1.25	0.80	1.00	1.25	1.50	1.00	1.25	1.50	1.75
Moderate	0.80	1.00	1.25	1.50	1.00	1.25	1.50	1.75	1.25	1.50	1.75	2.00
Heavy	1.25	1.50	1.75	2.00	1.50	1.75	2.00	2.25	1.50	1.75	2.25	2.50

* Divide the horsepower rating by the service factor to obtain the design horsepower. ** AGMA Class 1 Service
 LIMITATIONS ON HORSEPOWER AND TORQUE RATINGS: The horsepower and torque ratings given here are generalizations. Different conditions for various applications may result in higher or lower horsepower capacities. Under certain conditions the maximum indicated rpm may be exceeded. For these reasons the ratings cannot be guaranteed for any application. Prototype testing should be conducted for each application before production.



Contact Superior Gearbox for your special requirements.