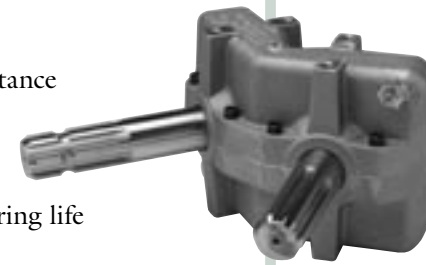




H130 Gearboxes

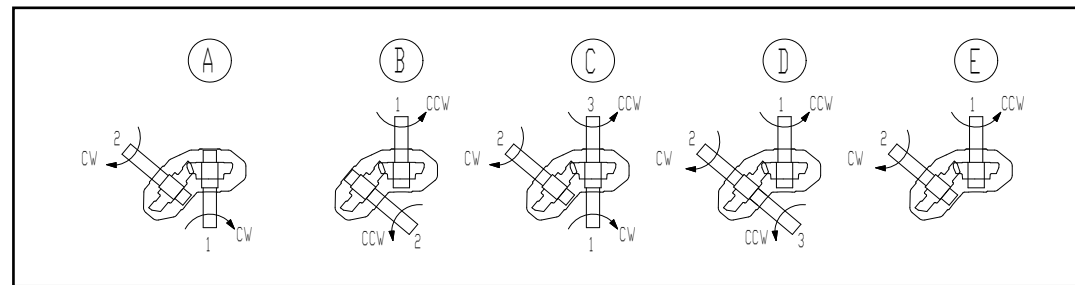
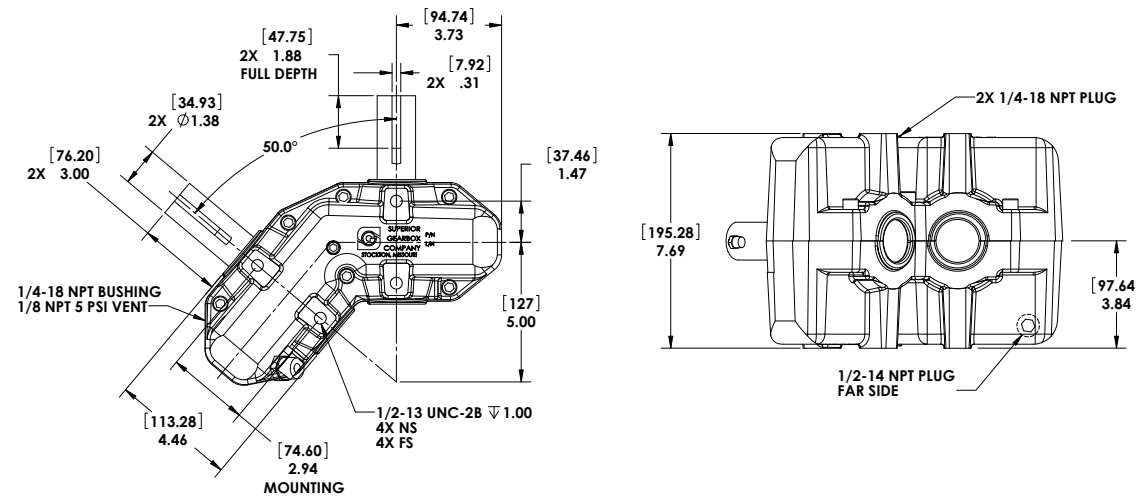
Features:

- Two-piece aluminum housing for high strength, corrosion resistance and thermal capacity
- Precision machined for exact gear mesh and bearing preload
- Precision forged gears are offered in a 1.61:1 ratio
- Tapered roller bearings provide increased load capacity and bearing life
- 1.375" shaft made of high strength steel is standard
- Serviced with 80W90 gear lubricant, run and leak tested before shipment
- The H Series weighs 35/40 lbs. including 26 oz of lubricant



	Ratio ¹	Gear Design	Input RPM			
			100	540	1000	
Reducers	1.61:1	18, 29 Forged Straight Bevel	Input HP	18.76	74.85	108.91
			Output Torque*	19049	14075	11059
			Input kW	13.99	55.82	81.22
			Output Torque**	2152	1590	1249

¹ All ratings specified with the #1 shaft as the input
 *Torque measured in inch-lbs **Torque measured in N-m



Contact Superior Gearbox for your special requirements.