



I260 Series

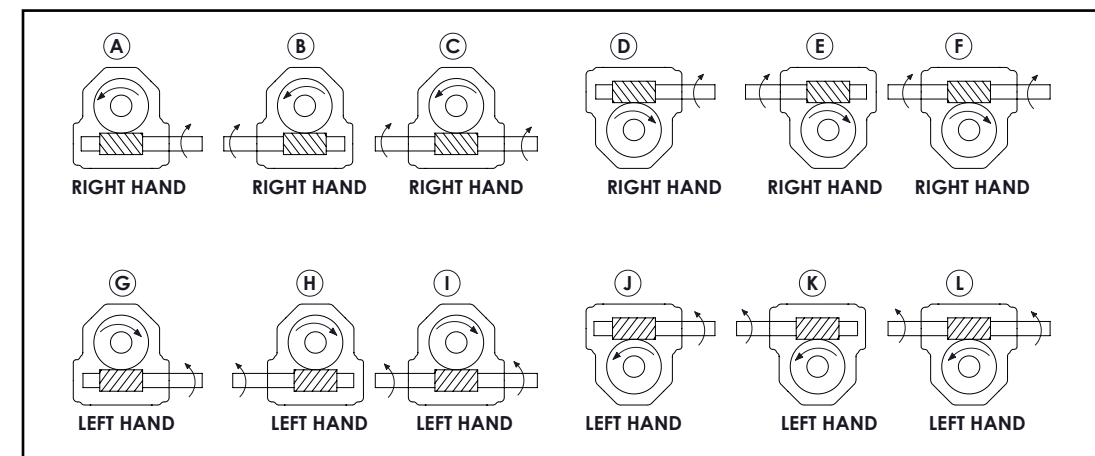
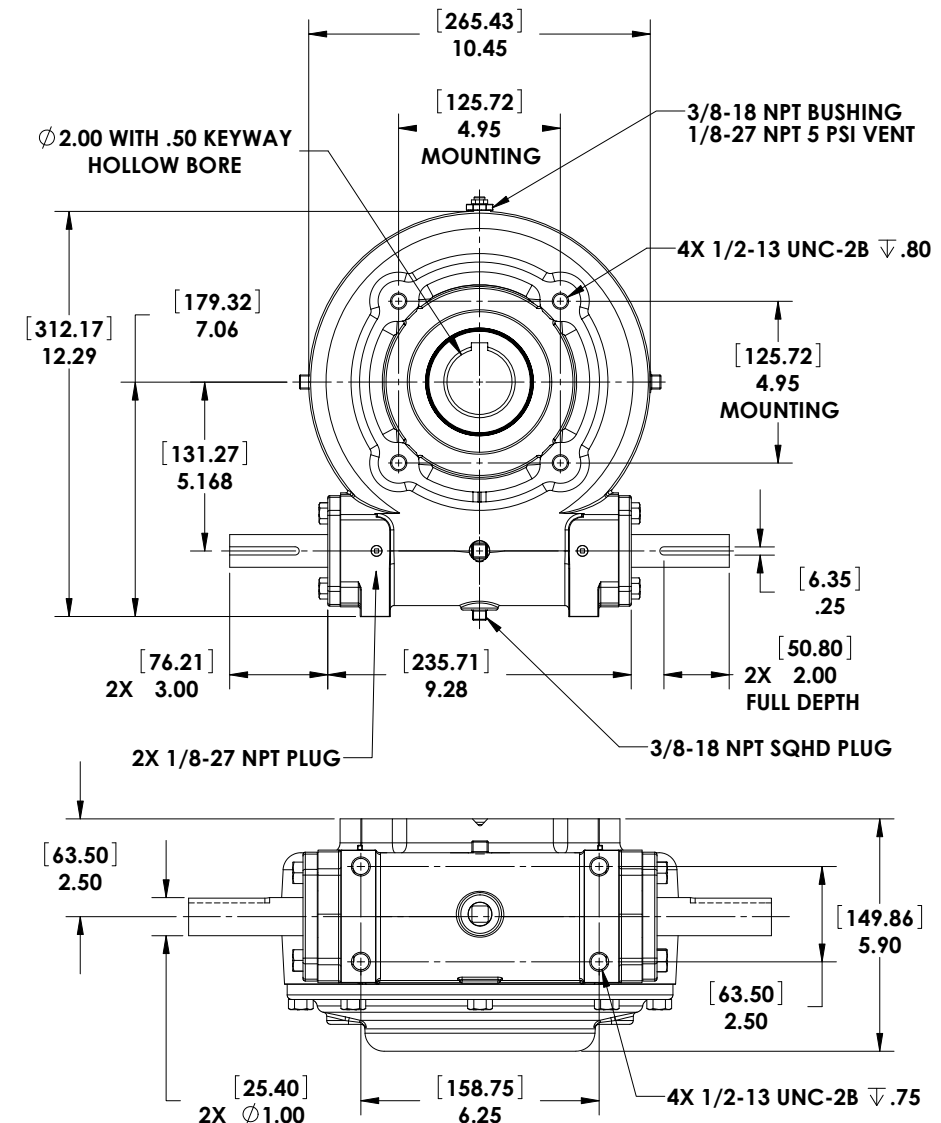


Features:

- One-piece iron housing
- Standard ratios are 25:1 and 50:1—right or left hand
- 1" input shaft or hydraulic motor
- 2" solid or hollow bore output shaft
- Tapered roller bearings provide increased load capacity and bearing life
- Serviced with 85W140 gear lubricant, run and leak tested before shipment
- The I260 weighs approximately 80/85 lbs. including 46 oz of lubricant

Ratio	Gear Design	Input RPM				
			100	400	1200	
25:1	2 Thread Worm 50 Tooth Bronze Gear	Mech.	Input HP	1.32	4.01	6.92
			Output Torque*	13740	11603	7304
			Input kW	0.98	2.99	5.16
			Output Torque**	1552	1311	825
		Thermal	Input HP	NA	1.77	2.40
			Output Torque*	NA	5133	2531
			Input kW	NA	1.32	1.79
			Output Torque**	NA	580	286
50:1	1 Thread Worm 50 Tooth Bronze Gear	Mech.	Input HP	0.82	2.34	3.81
			Output Torque*	13067	11058	6992
			Input kW	0.61	1.74	2.84
			Output Torque**	1476	1249	790
		Thermal	Input HP	NA	1.18	1.56
			Output Torque*	NA	5574	2864
			Input kW	NA	0.88	1.16
			Output Torque**	NA	630	324

*Torque measured in inch-lbs **Torque measured in N-m



Contact Superior Gearbox for your special requirements.