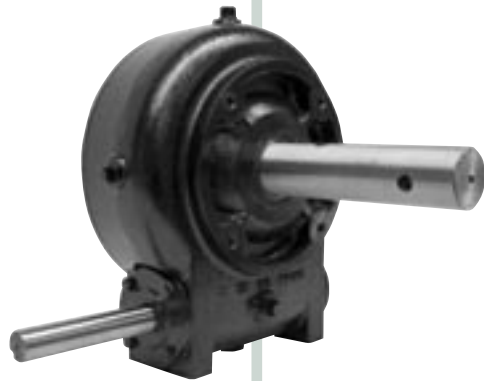




I280 Series

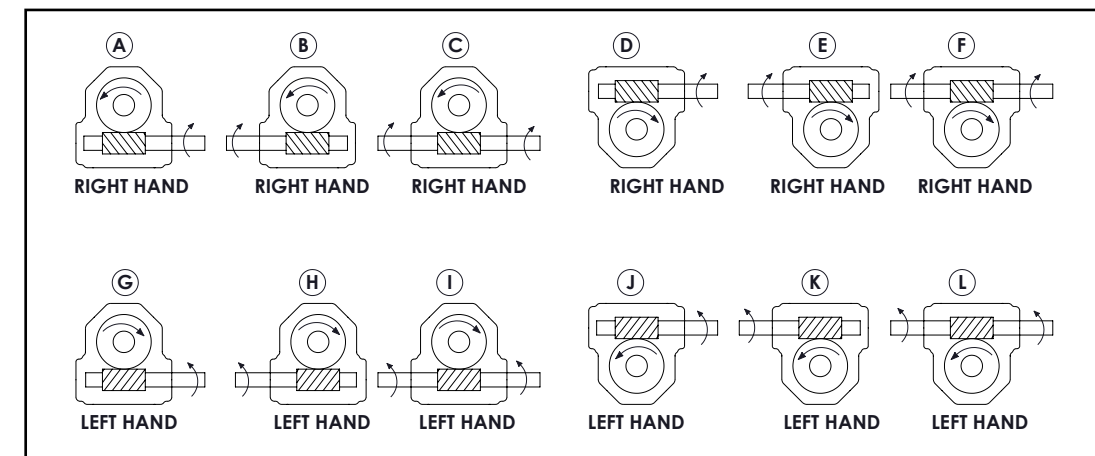
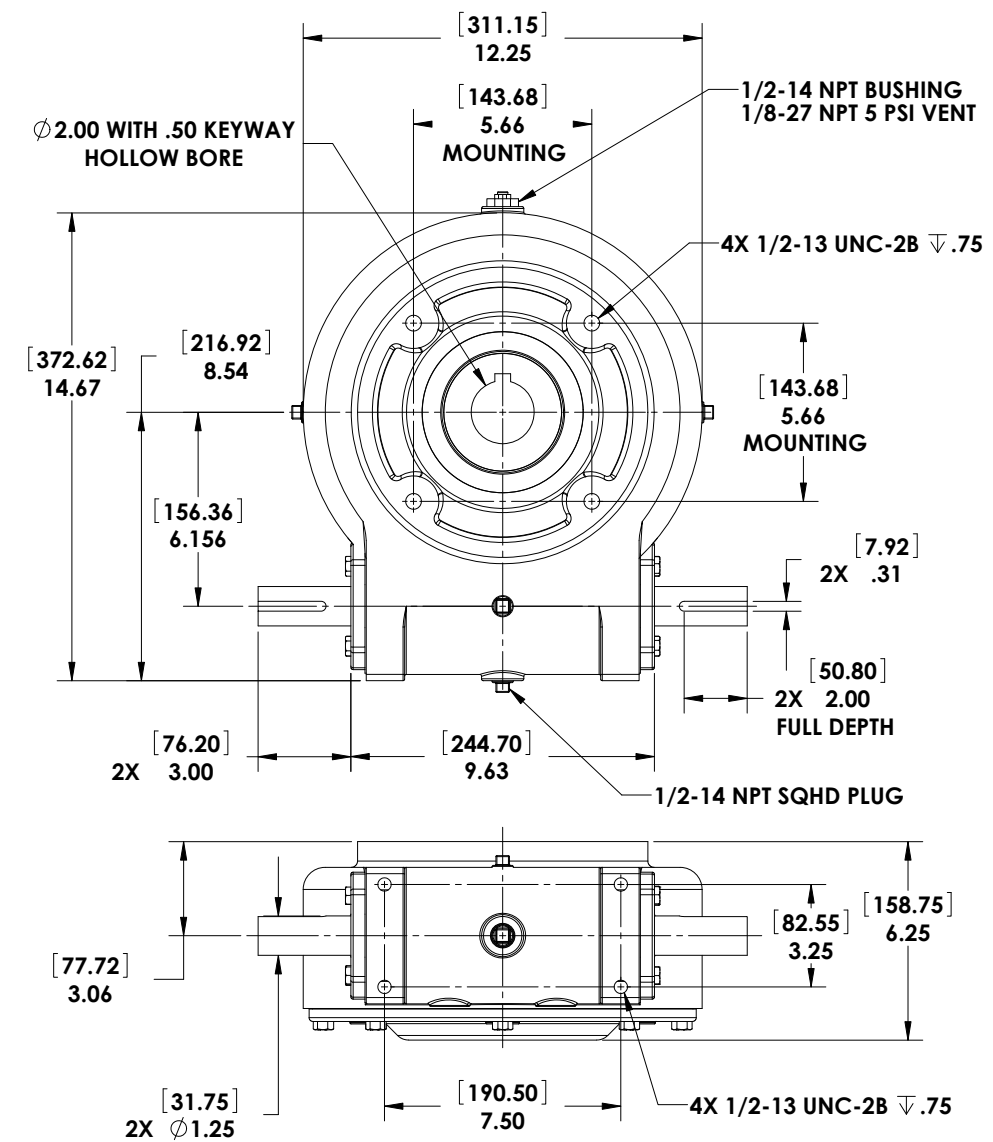


Features:

- One-piece iron housing
- Standard ratios is 50:1—right or left hand
- 1.25" input and 2" hollow output shaft is standard
- Tapered roller bearings provide increased load capacity and bearing life
- Serviced with 85W140 gear lubricant, run and leak tested before shipment
- The I260 weighs approximately 100/110 lbs. including 88 oz of lubricant

Ratio	Gear Design		Input RPM			
			100	400	1200	
50:1	1 Thread Worm 50 Tooth Bronze Gear	Mech.	Input HP	1.28	3.57	5.64
			Output Torque*	22771	18722	11293
			Input kW	0.95	2.66	4.21
		Thermal	Output Torque**	2573	2115	1276
			Input HP	NA	1.87	2.51
			Output Torque*	NA	9057	4696
		Input kW	NA	1.39	1.87	
		Output Torque**	NA	1023	531	

*Torque measured in inch-lbs **Torque measured in N-m



Contact Superior Gearbox for your special requirements.