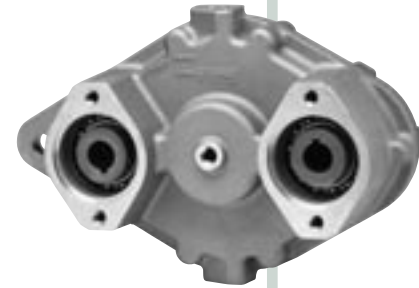




IP39 SERIES (Dual Input)



Features:

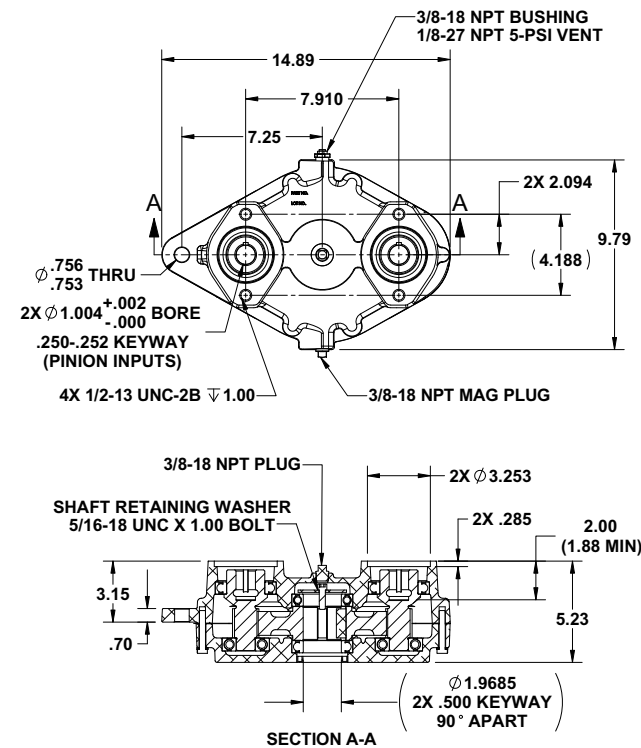
- Two-piece aluminum housing for high strength, corrosion resistance and thermal capacity
- Precision machined for exact gear mesh and bearing preload
- Standard ratio 6.09:1
- Dual hydraulic motor input
- Tapered roller bearings provide increased load capacity and bearing life

Ratio	Gear Design	Input RPM				
		120	360	720	1000	
6:1	11T, 67T From Forged Steel	Input HP	2.85	7.06	12.51	16.43
		Output Torque	9130	7528	6672	6306

Torque measured in inch-lbs

Ratio	Gear Design	Input RPM				
		60	120	500	1000	
6:1	11T, 67T From Forged Steel	Input kW	2.13	5.26	9.33	12.25
		Output Torque	1032	851	754	713

Torque measured in N-m



Contact Superior Gearbox for your special requirements.